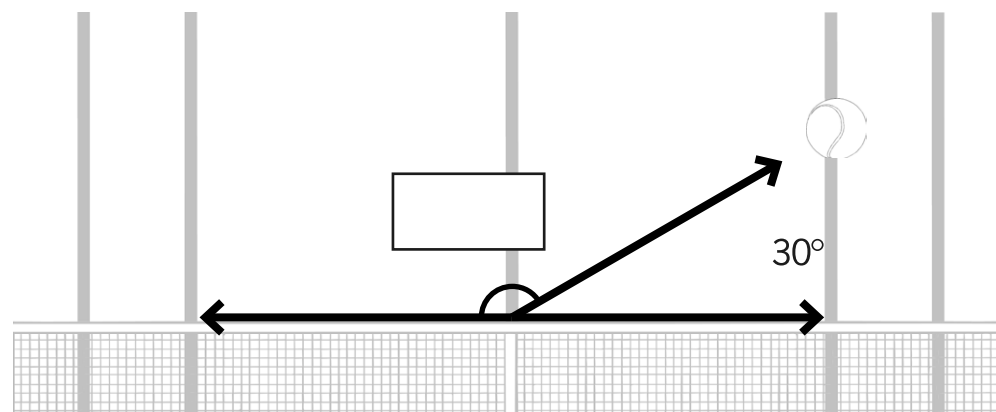
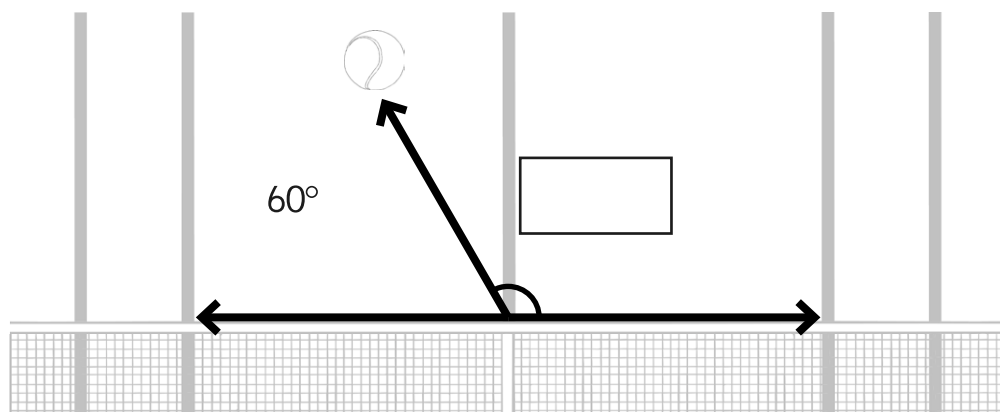
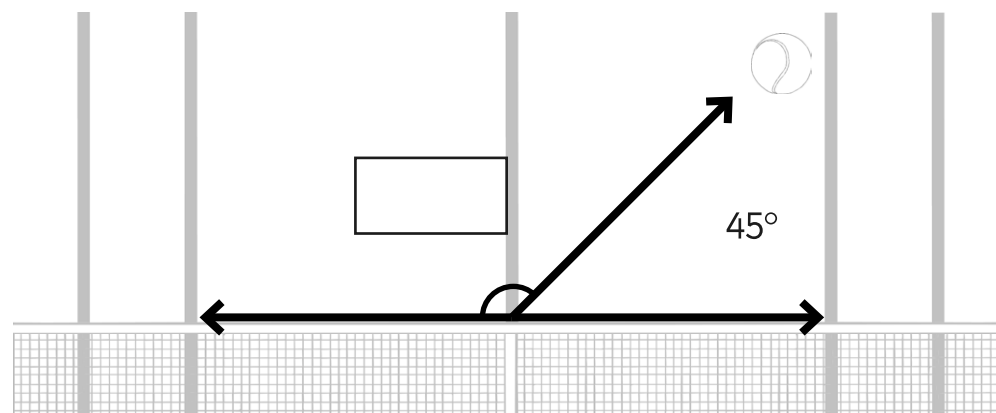
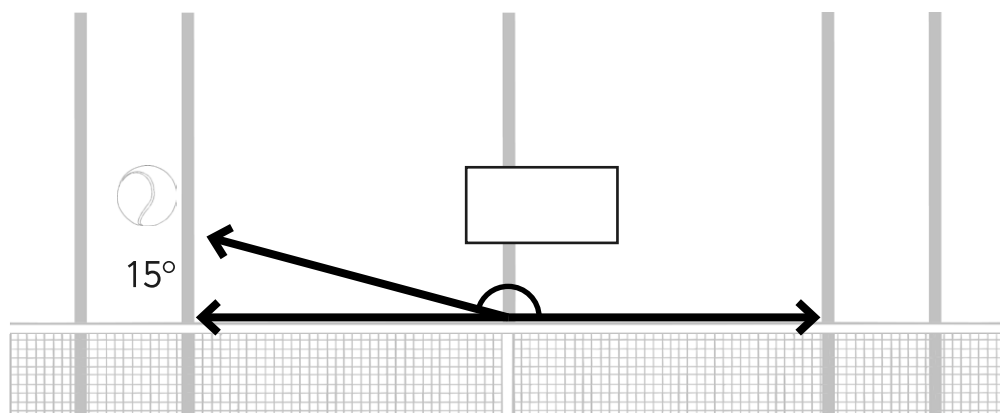


# Tennis Ball Angles

I can find angles at a point on a straight line and half a turn.

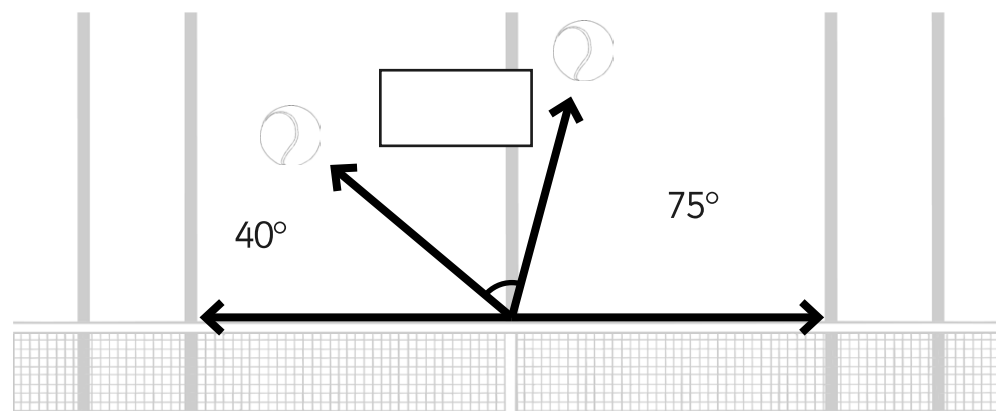
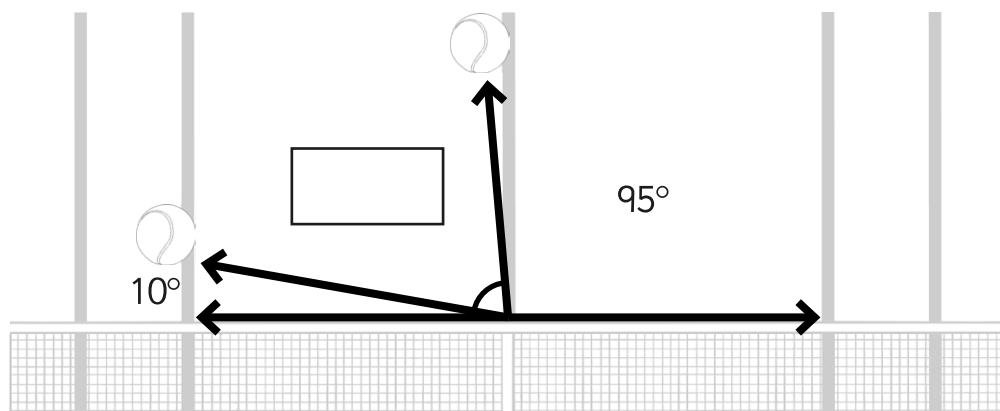
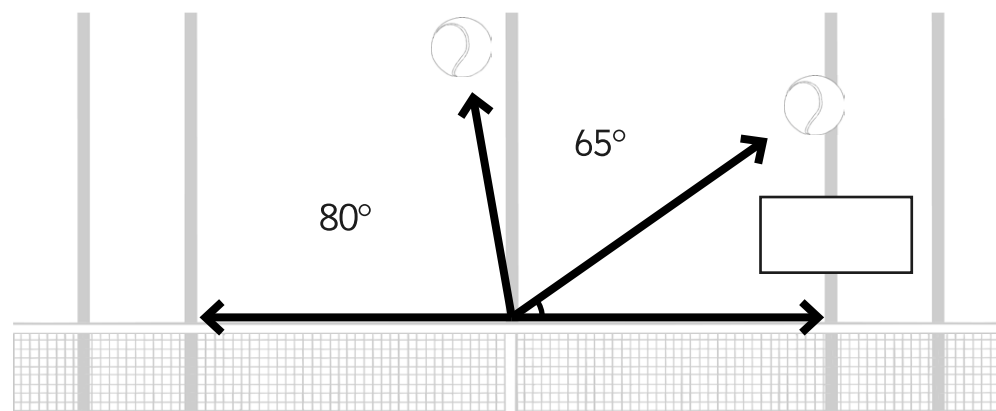
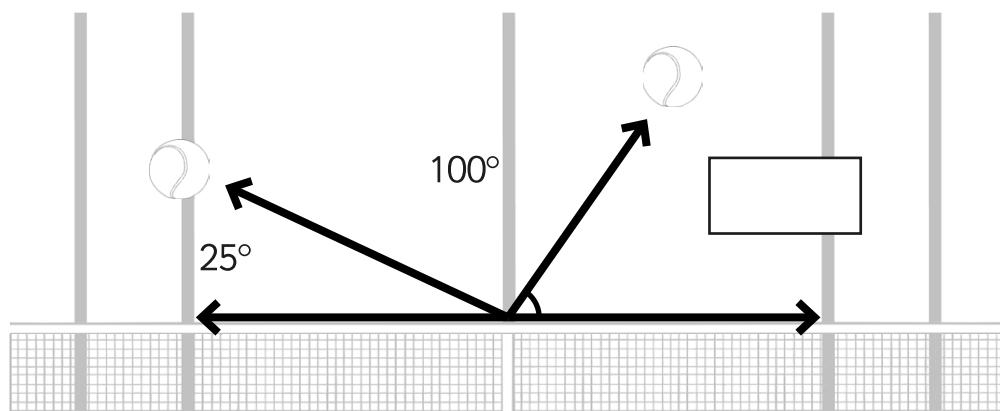
Calculate the missing angle. Write your answers in the boxes provided.



# Tennis Ball Angles

I can find angles at a point on a straight line and half a turn.

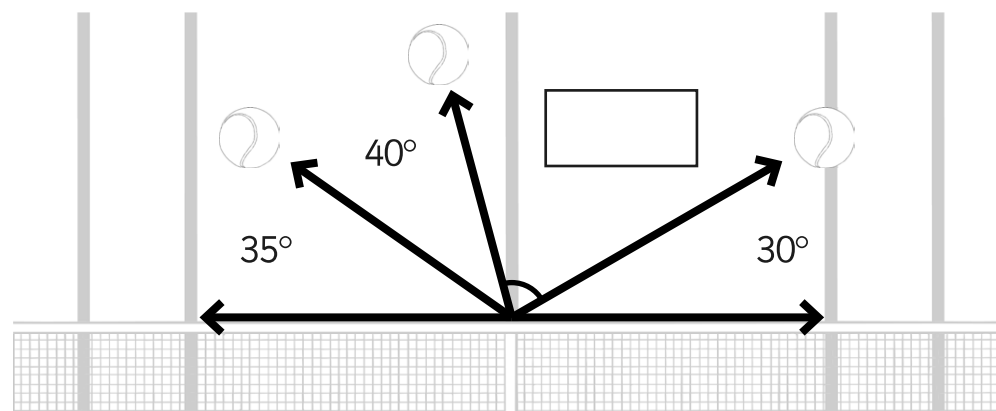
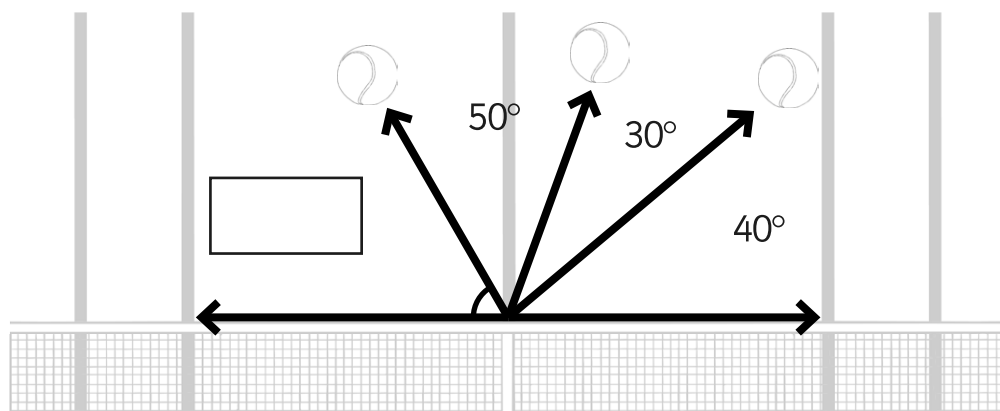
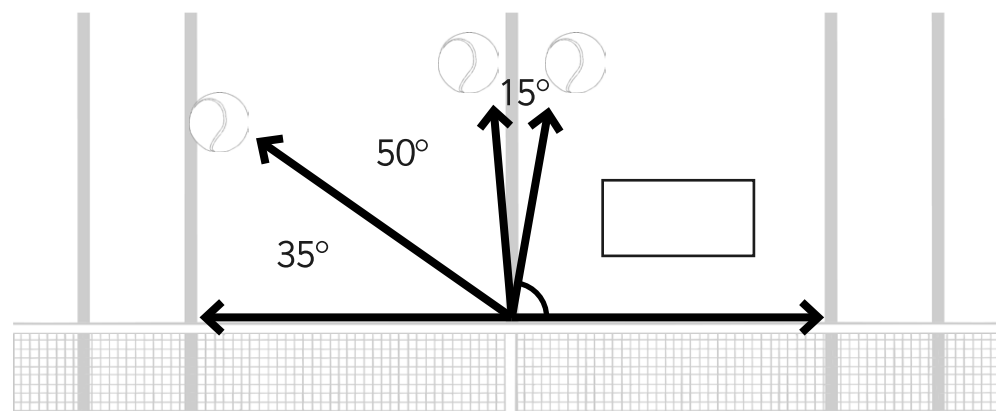
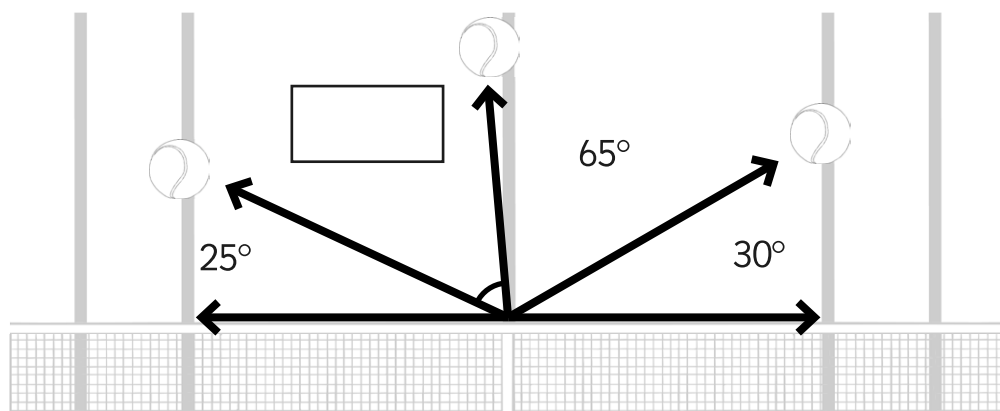
Calculate the missing angle. Write your answers in the boxes provided.



# Tennis Ball Angles

I can find angles at a point on a straight line and half a turn.

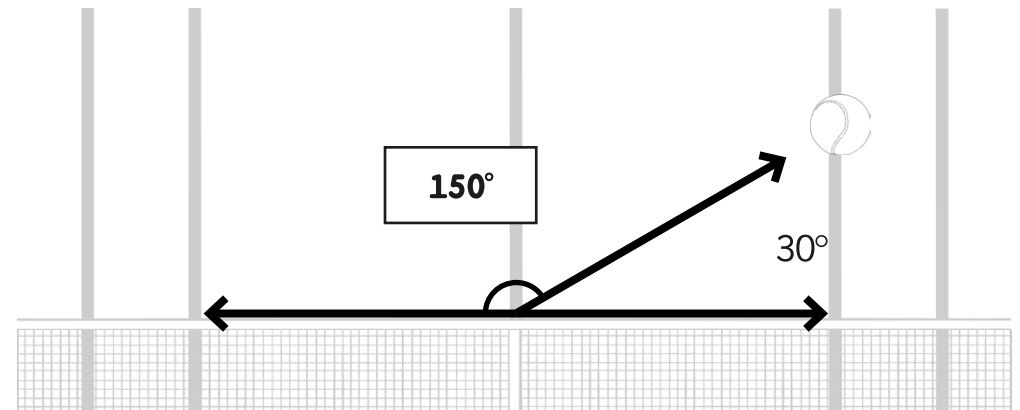
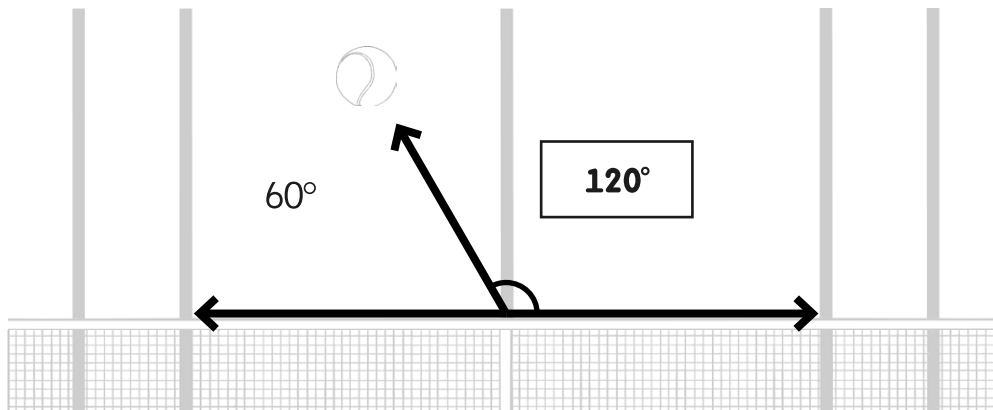
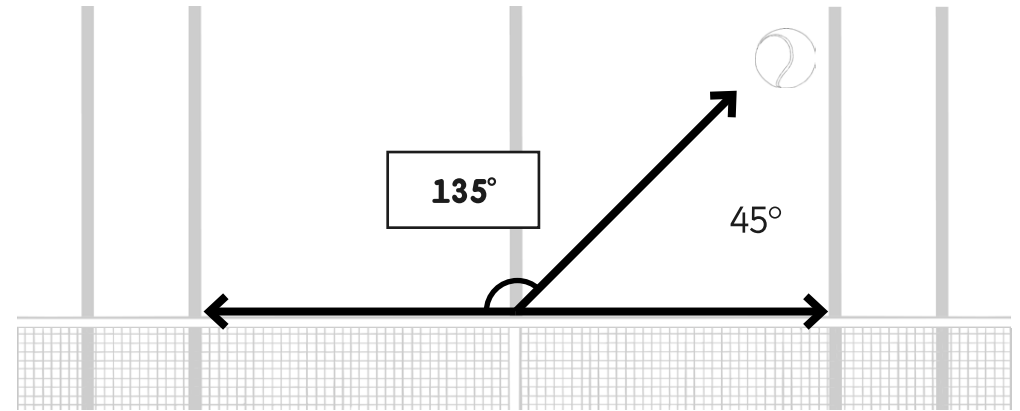
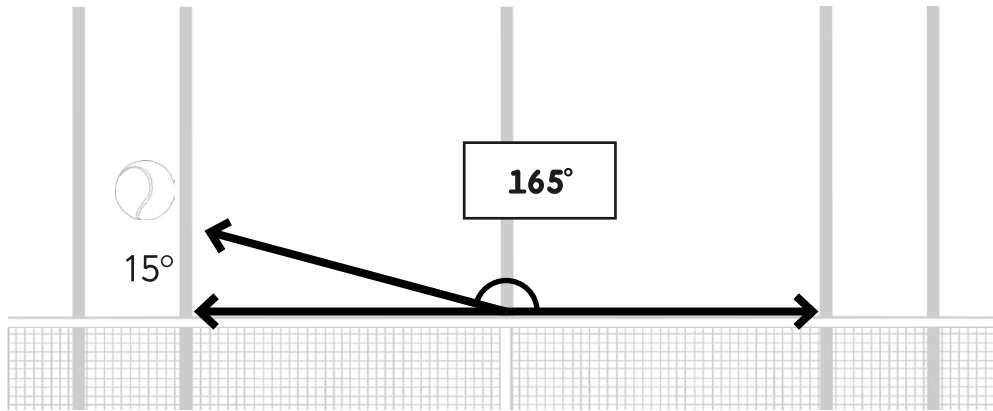
Calculate the missing angle. Write your answers in the boxes provided.





# Tennis Ball Angles Answers

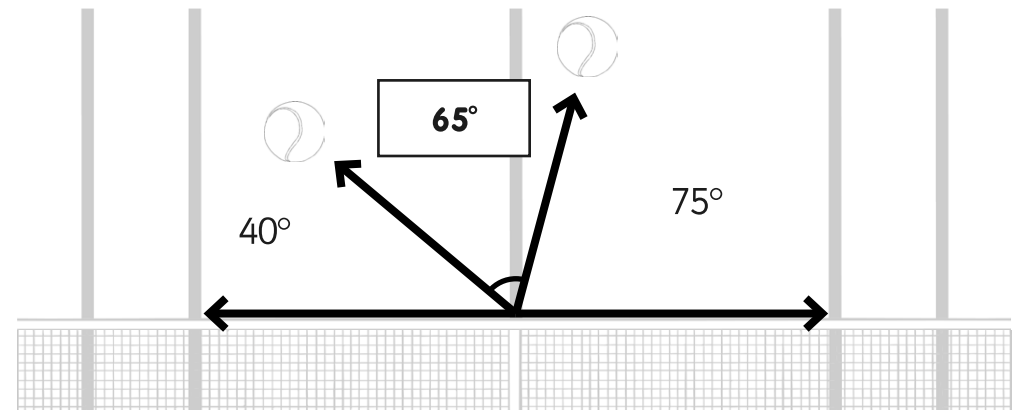
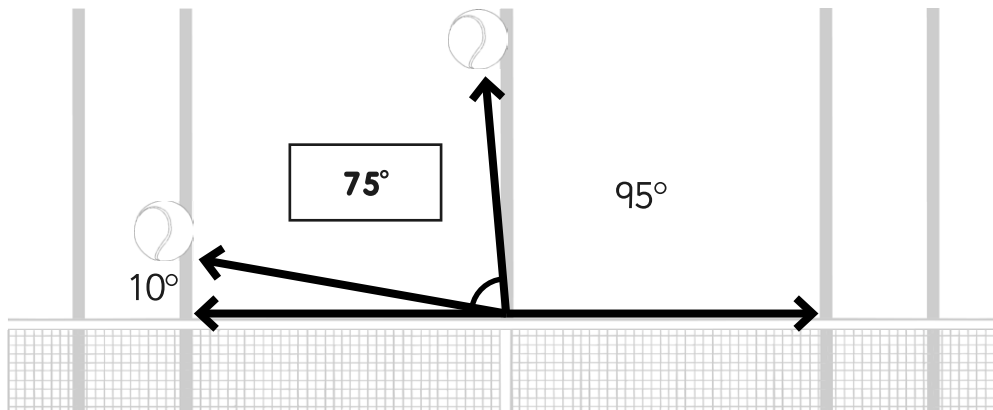
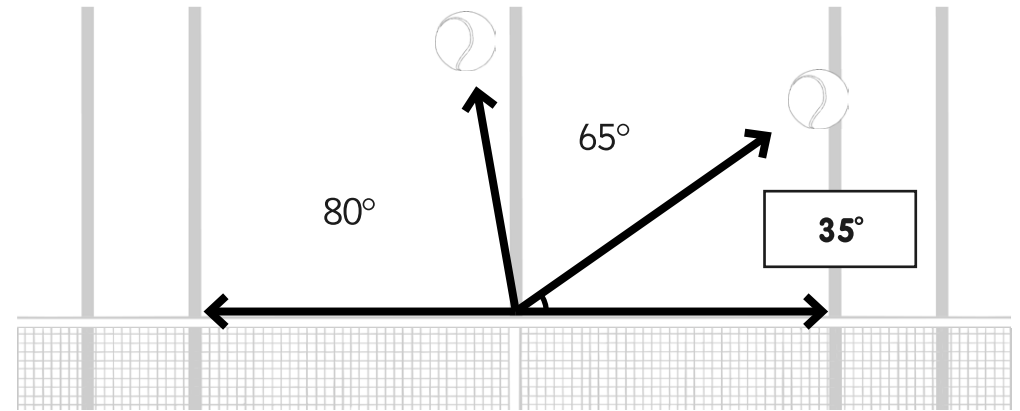
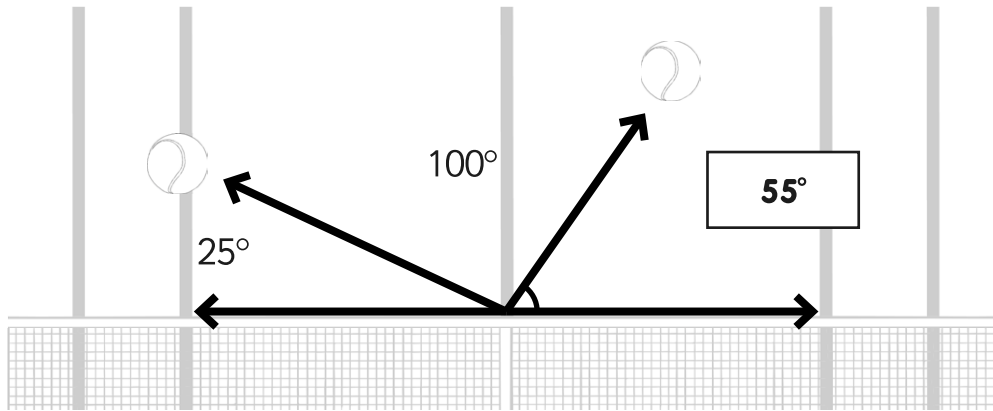
Calculate the missing angle. Write your answers in the boxes provided.





# Tennis Ball Angles Answers

Calculate the missing angle. Write your answers in the boxes provided.





# Tennis Ball Angles Answers

Calculate the missing angle. Write your answers in the boxes provided.

